

1	2	3	4
RevNo	Revision note	Date	Signature
			Checked

A

A

B

B

C

C

D

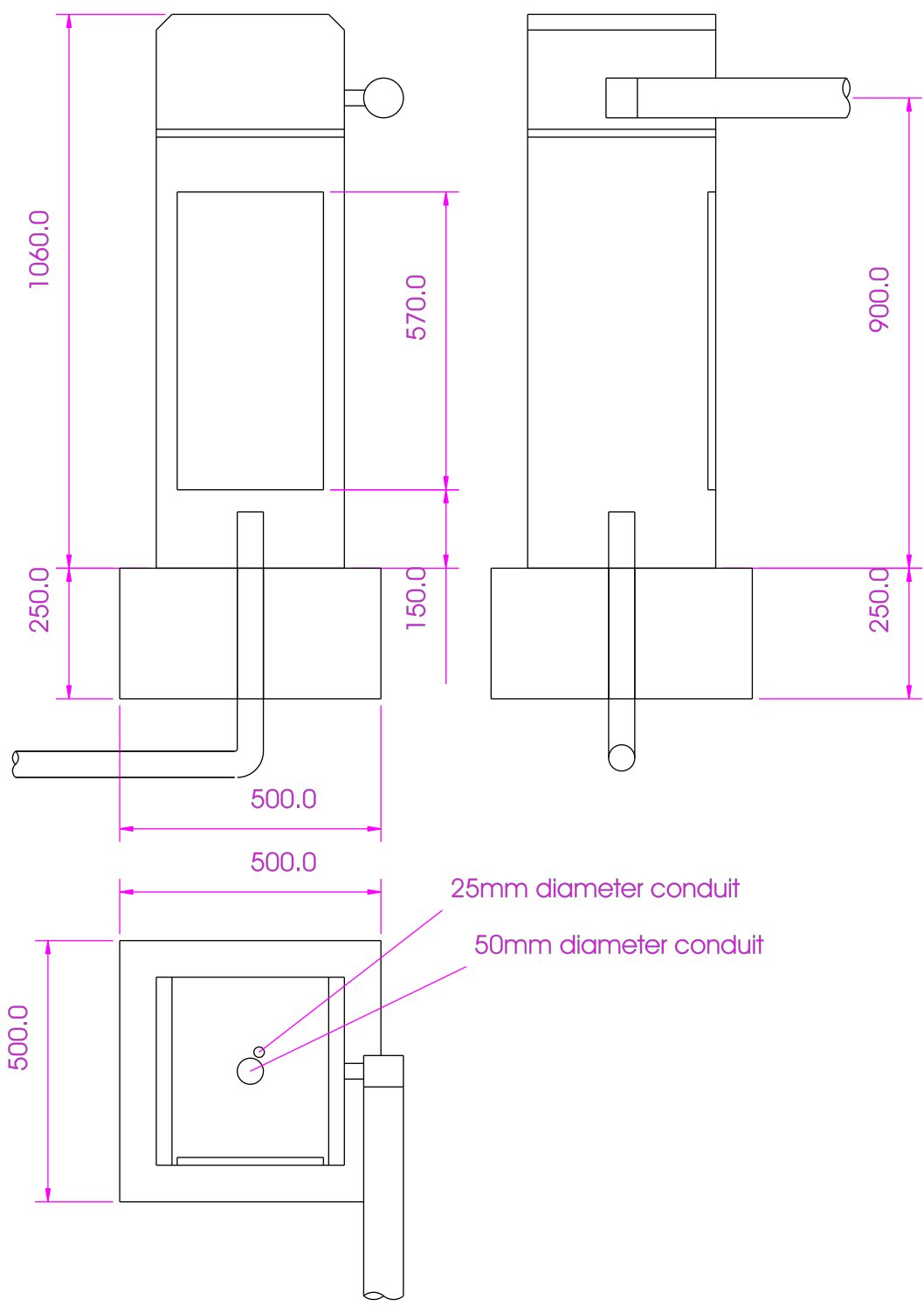
D


E

E

F

F



Itemref	Quantity	Title/Name, designation, material, dimension etc			Article No./Reference	
Designed by		Checked by	Approved by - date	File name	Date	Scale
 <b>AUTO GATE</b> <b>AUTO DOOR</b> Security Technical Services (Pty) Ltd				<b>SERVO BOOM CONCRETE BASE</b>		
					Edition	Sheet