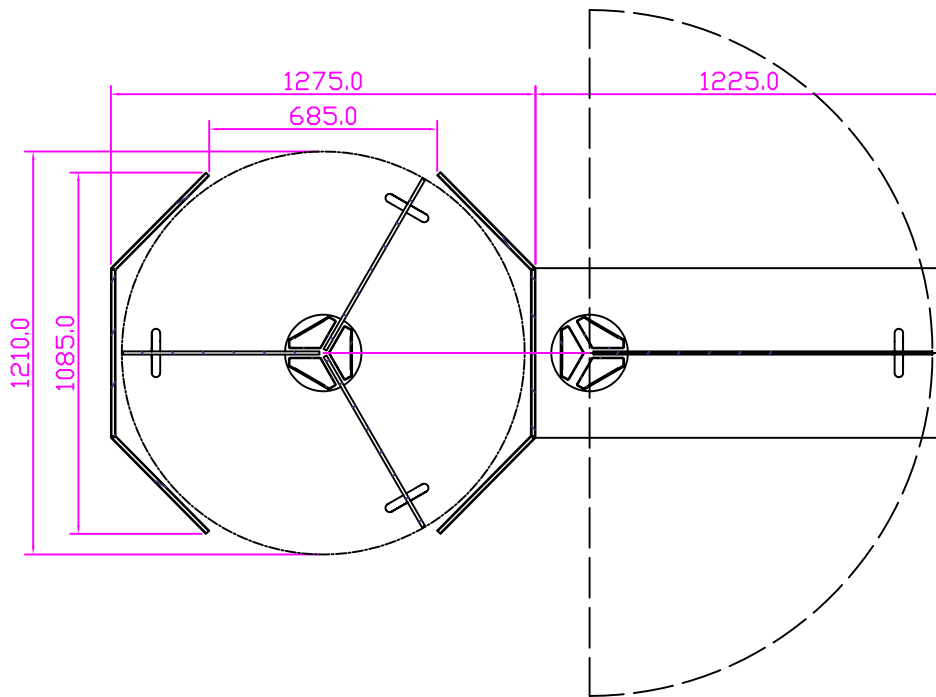
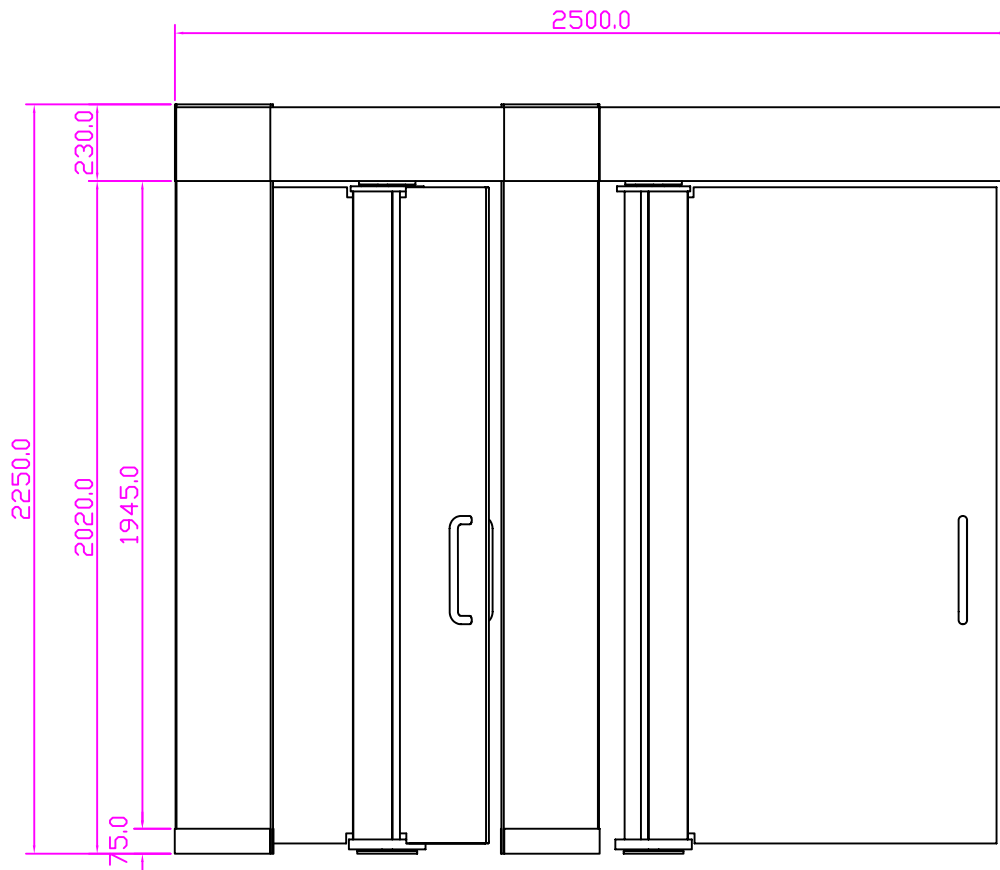


1	2	3	4
RevNo	Revision note	Date	Signature
			Checked



Itemref	Quantity	Title/Name, designation, material, dimension etc			Article No./Reference	
Designed by	Checked by	Approved by - date	File name SKYCOM	Date	Scale N.T.S.	
			<b>FH GLASS TURNSTILE &amp; GATE</b>			
			A-SKY-010406_12_GTS	Edition 0	Sheet 1/1	