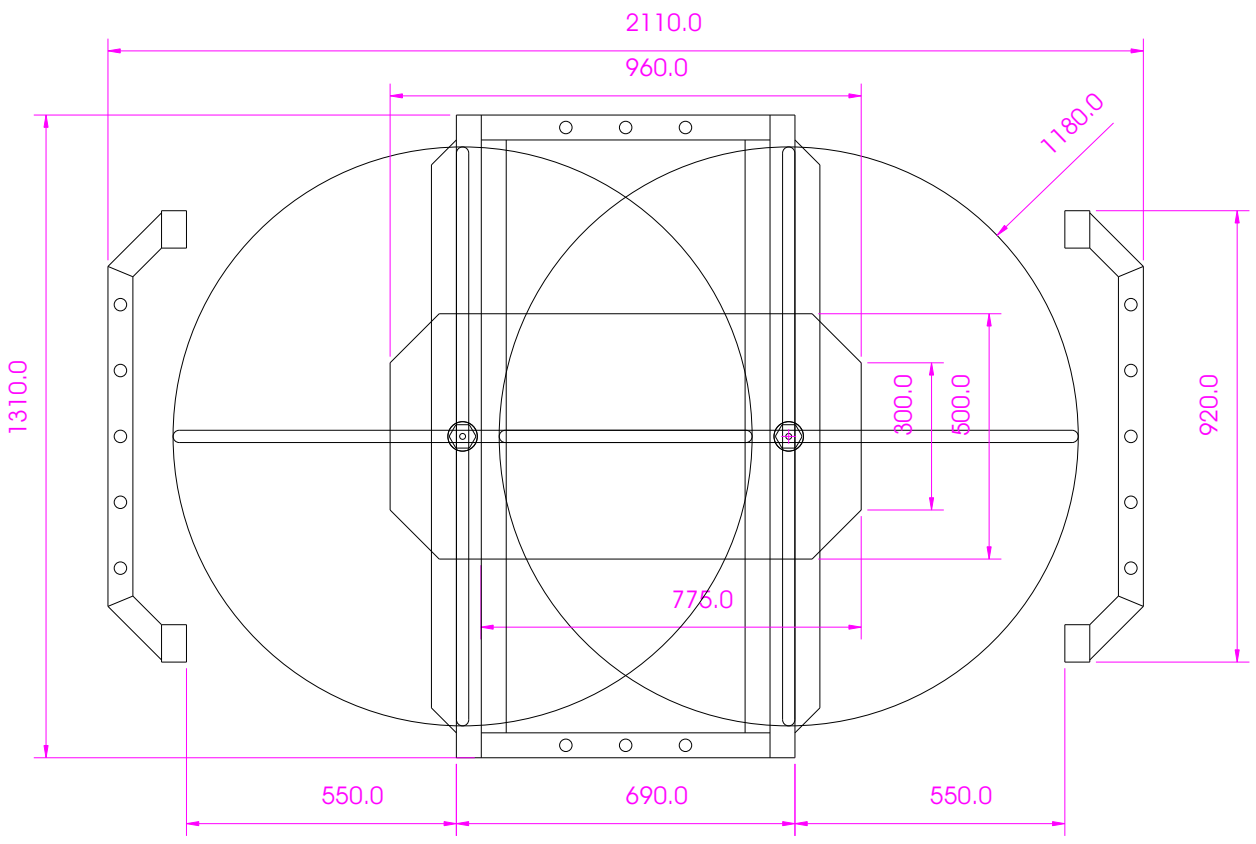
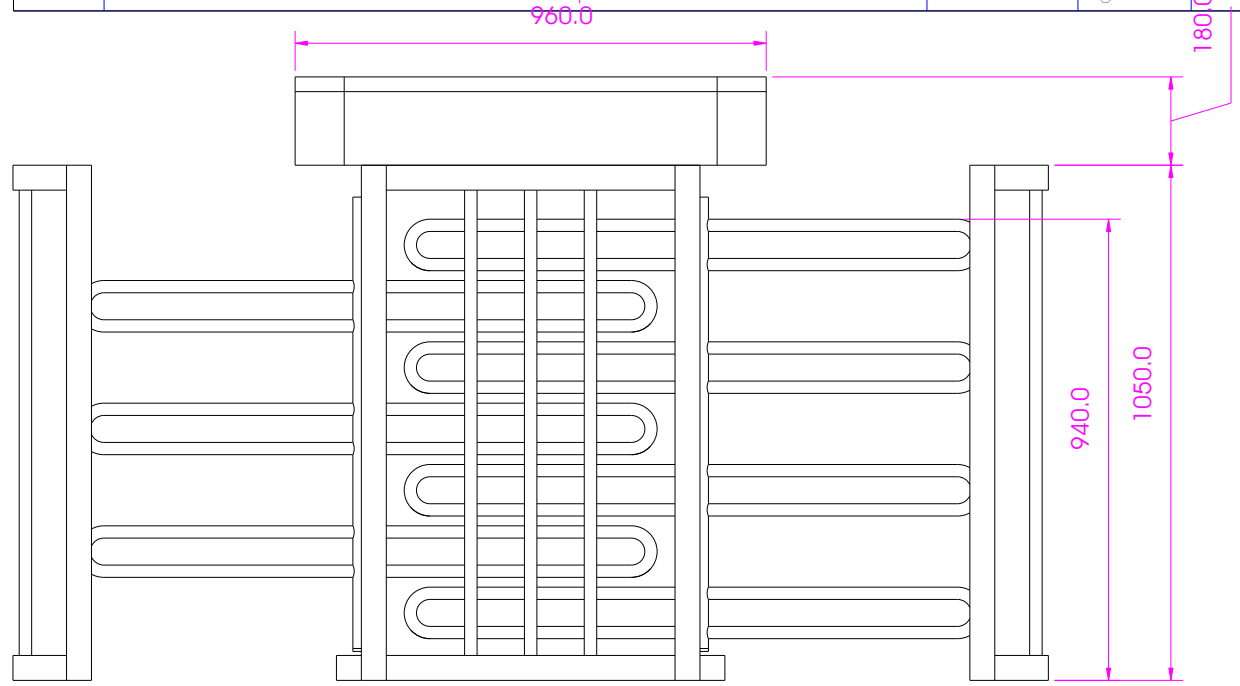


| | | | | | | | | |
|---|-------|---------------|---|---|---|------|-----------|---------|
| 1 | RevNo | Revision note | 2 | 3 | 4 | Date | Signature | Checked |
|---|-------|---------------|---|---|---|------|-----------|---------|



| | | | | | | |
|-------------|------------|--|-----------|------|-----------------------|--|
| Itemref | Quantity | Title/Name, designation, material, dimension etc | | | Article No./Reference | |
| Designed by | Checked by | Approved by - date | File name | Date | Scale | |



HALF HEIGHT DOUBLE TURNSTILE
A-401D-HH-T

| | |
|---------|-------|
| Edition | Sheet |
|---------|-------|