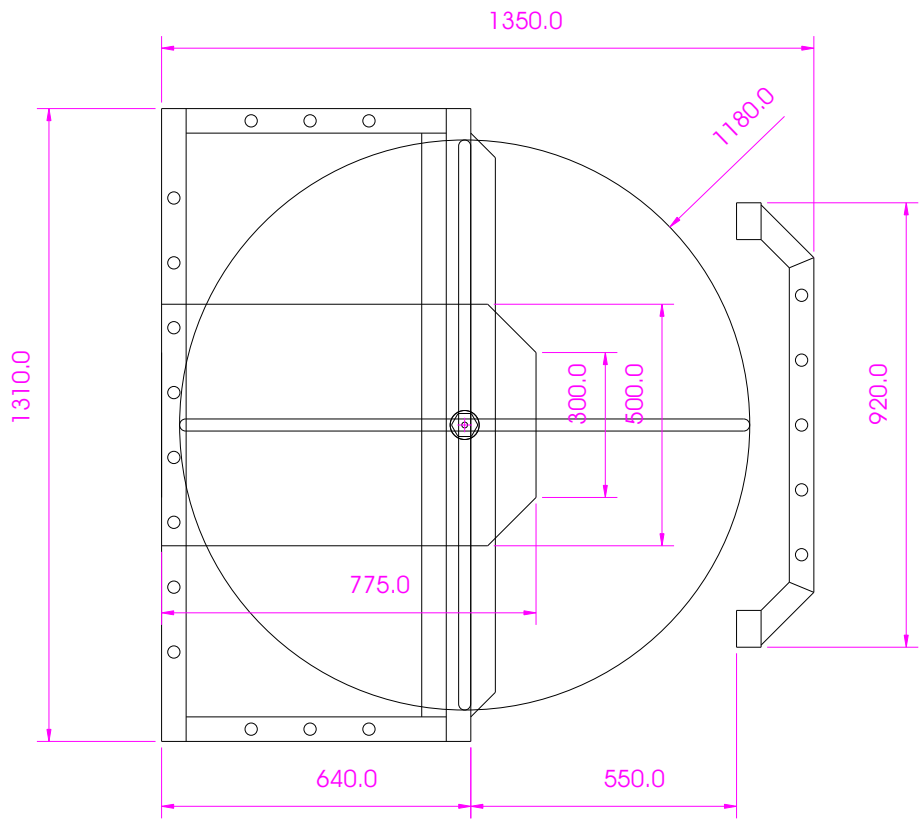
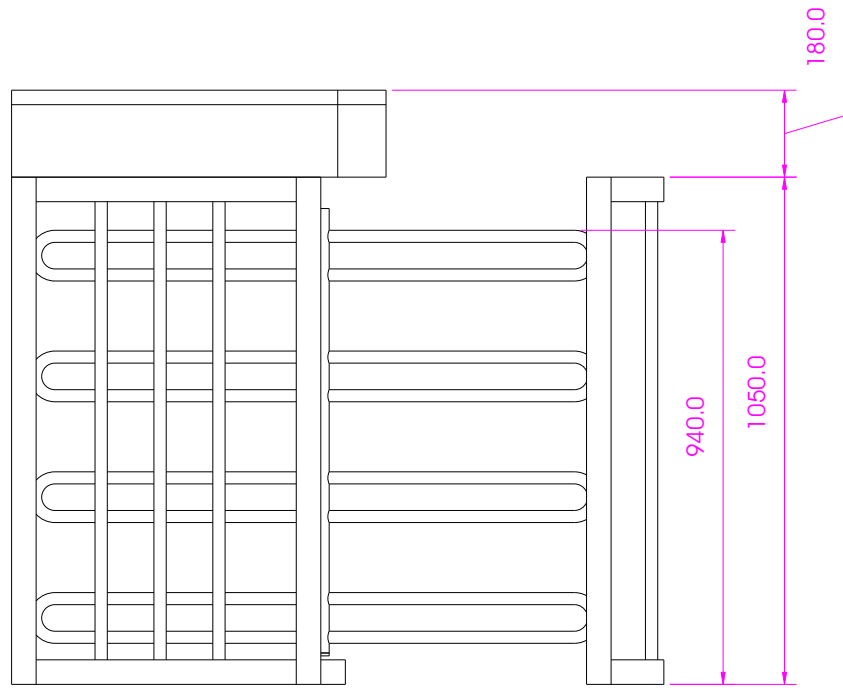


1	2	3	4
RevNo	Revision note	Date	Signature Checked



Itemref	Quantity	Title/Name, designation, material, dimension etc	Article No./Reference
Designed by	Checked by	Approved by - date	File name
			Date
			Scale



HALF HEIGHT DOUBLE TURNSTILE
A-401S-HH-T

Edition	Sheet
---------	-------