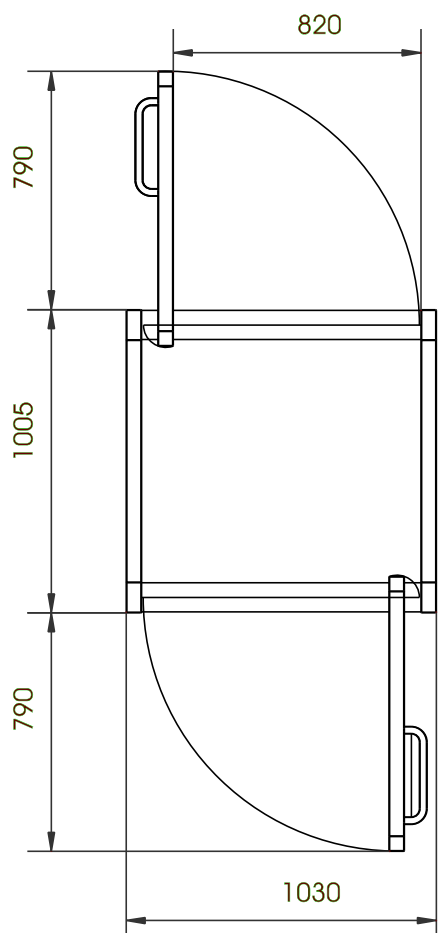
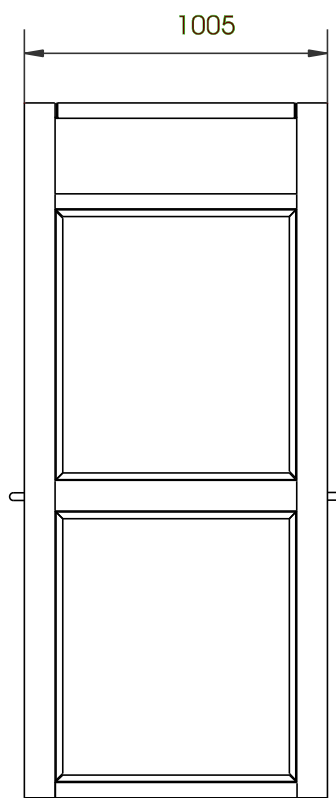
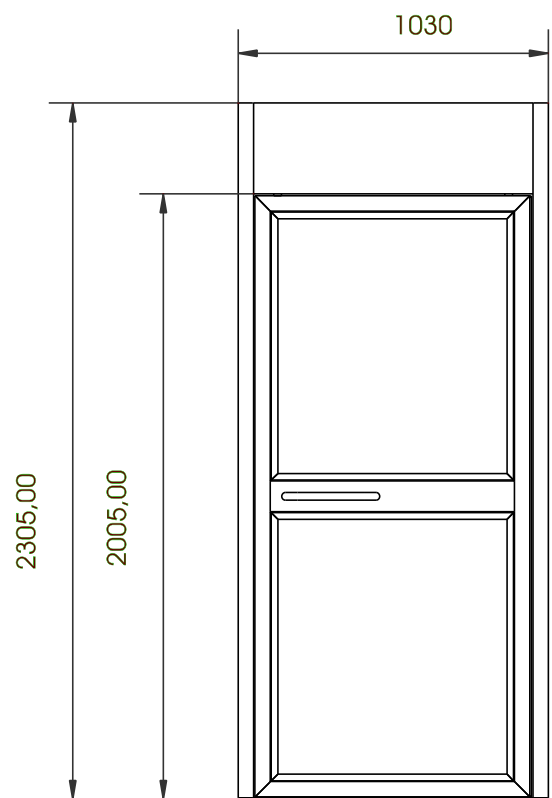


1	2	3	4
RevNo	Revision note	Date	Signature
			Checked



Itemref	Quantity	Title/Name, designation, material, dimension etc			Article No./Reference	
Designed by	Checked by	Approved by - date	File name	Date	Scale	
 AUTO GATE AUTO DOOR Security Technical Services (Pty) Ltd				SINGLE MANTRAP ACCESS CONTROL BOOTH A-901S-MB		
				Edition	Sheet	