

1	2	3	4
RevNo	Revision note	Date	Signature
			Checked

A

A

B

B

C

C

D

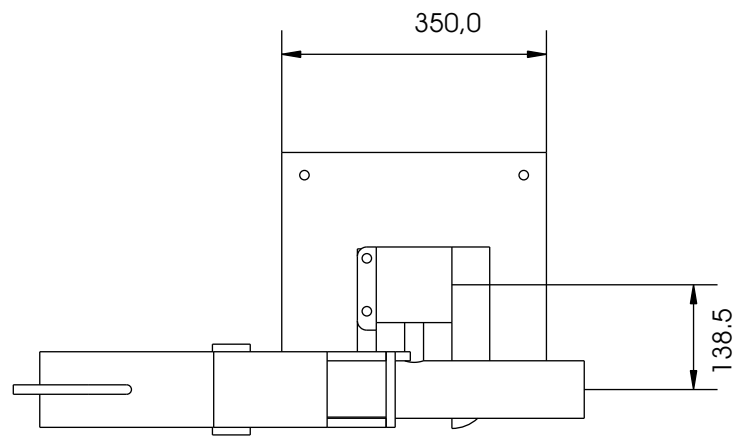
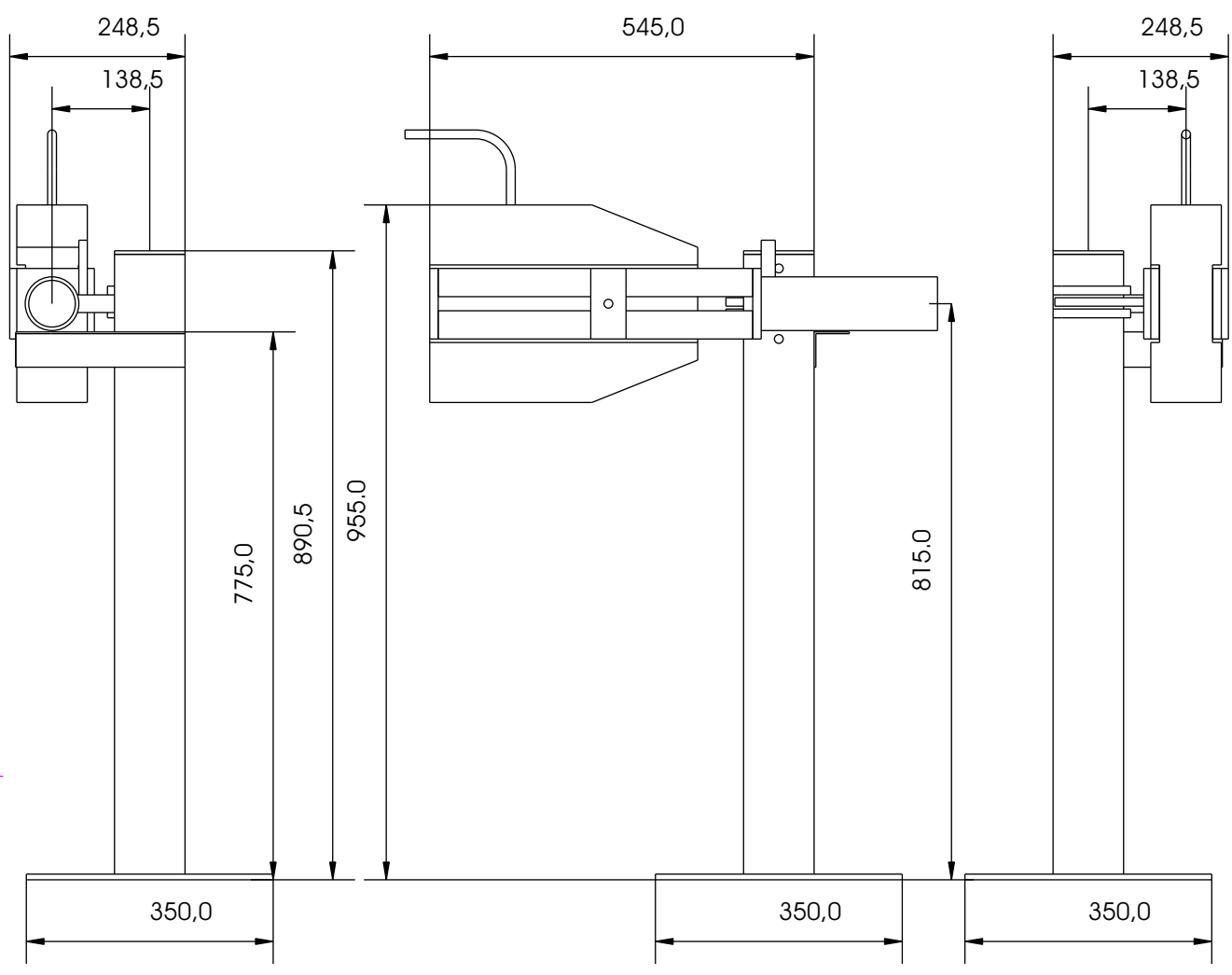
D

E

E

F

F



Itemref	Quantity	Title/Name, designation, material, dimension etc	Article No./Reference
Designed by	Checked by	Approved by - date	File name
			Date
			Scale



MANUAL TRAFFIC BOOM BARRIER

**A-01-MB**

Edition    Sheet

1	2	3	4
RevNo	Revision note	Date	Signature

A

A

B

B

C

C

D

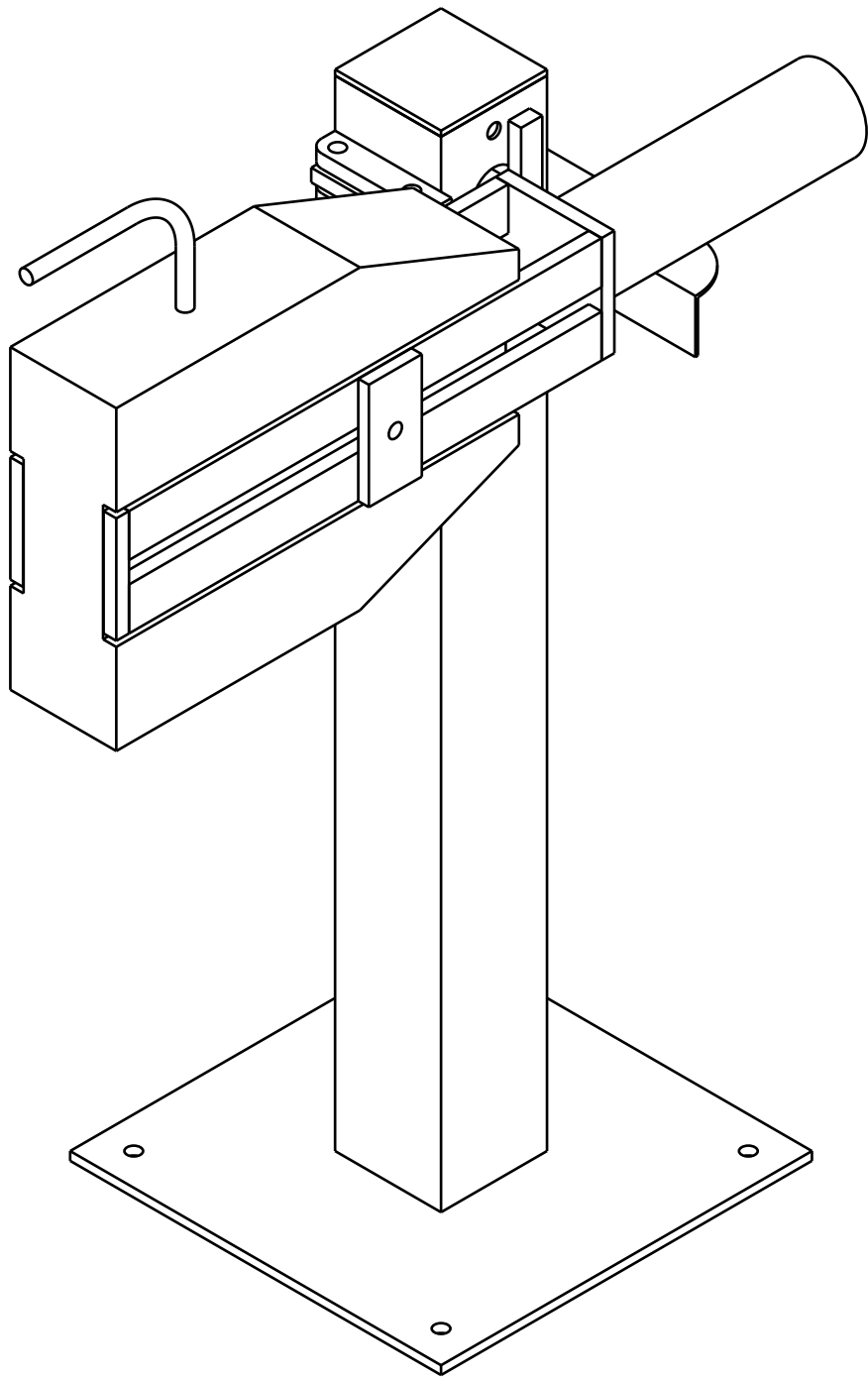
D

E

E

F

F



Itemref	Quantity	Title/Name, designation, material, dimension etc		Article No./Reference	
Designed by	Checked by	Approved by - date	File name	Date	Scale
			<p>MANUAL TRAFFIC BOOM BARRIER</p> <p><b>A-01-MB</b></p>		
			Edition	Sheet	